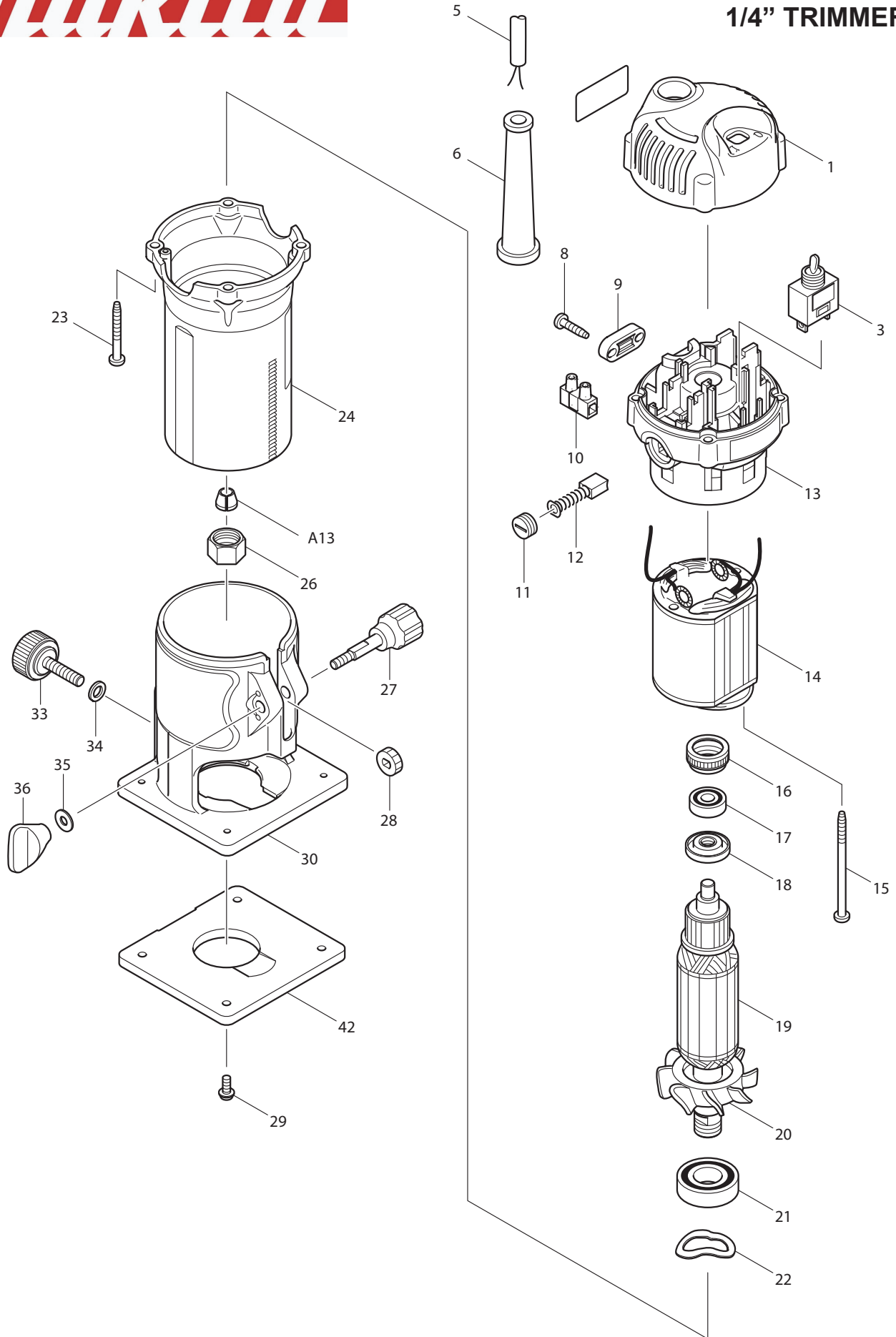




08 - 2010  
3709, 3709X  
1/4" TRIMMER



## PARTS LIST

Item No	Type	Part No	Description	Qty	Unit
001	3	419137-6	TOP COVER	1	PC.
001	4	413K14-0	TOP COVER	1	PC.
003	2	651066-9	SWITCH STL115A-TB-S1	1	PC.
004		861695-2	NAME PLATE F/3709	1	PC.
005		664891-9	CORD WITH PLUG 2P-18-2.5M SJ	1	PC.
006		682569-2	CORD GUARD 8-85	1	PC.
008		266326-2	TAPPING SCREW 4X18	2	PC.
009		687123-7	STRAIN RELIEF	1	PC.
010		654532-5	TERMINAL BLOCK 1P	1	PC.
011		643550-8	BRUSH HOLDER CAP 5-8	2	PC.
012	2	195008-8	CARBON BRUSH CB-408 2PC/SET (W/ ORIGIN)	1	SET
013	2	140L19-0	BRACKET COMPLETE	1	PC.
013	2	INC. 643455-2	BRUSH HOLDER 6X9	2	PC.
014	2	590088-3	FIELD ASS'Y 115V (Running Change)	1	PC.
014	2	INC. 654100-4	RING TERMINAL	2	PC.
014	2-2	INC. 654485-8	PARALLEL SPLICE	2	PC.
015		266340-8	TAPPING SCREW 4X65	2	PC.
016		421494-0	RUBBER RING 19	1	PC.
017		210034-7	BALL BEARING 607LLB	1	PC.
018		681668-7	INSULATION WASHER	1	PC.
019	2	510274-0	ARMATURE ASS'Y 115V	1	PC.
019	2	INC.	Item No. 17,18,20,21		
020		241667-7	FAN 52	1	PC.
021	2	211489-9	BALL BEARING 6002LLUX	1	PC.
022		267785-3	WAVE WASHER 23	1	PC.
023		266351-3	TAPPING SCREW 4X35	4	PC.
024	2	141D78-9	MOTOR HOUSING COMPLETE	1	PC.
024	2	INC. 8034K8-2	SCALE LABEL	1	PC.
026		763661-4	COLLET NUT 6	1	PC.
027		265771-8	THUMB SCREW M5X33	1	PC.
028		226217-9	SPUR GEAR 16	1	PC.
029B		912112-6	COUNTERSUNK HEAD SCREW M4X10 (F/ 3709X)	4	PC.
030		419138-4	BASE	1	PC.
033		265763-7	THUMB SCREW M6X25	1	PC.
034		941151-9	FLAT WASHER 6	1	PC.
035		941101-4	FLAT WASHER 5	1	PC.
036		252652-5	THUMB NUT M5	1	PC.
042B		411114-4	BASE PROTECTOR, BLACK (FOR 3709X)	1	PC.

Item No	Type	Part No	Description	Qty	Unit
100		652040-0	+ PAN HEAD SCREW M3.5X6	2	PC.
101		654037-5	INSULATED EYE TERMINAL FT1.25-M3	2	PC.
A01	2	122703-7	TRIMMER GUIDE ASS'Y (TYPE2)	1	PC.
A01	2	C10 251471-6	- FLAT HEAD SCREW M5	1	PC.
A01	2	C20 265135-6	+ COUNTERSUNK HEAD SCREW M4X10	1	PC.
A01	2	C30 265763-7	THUMB SCREW M6X25	1	PC.
A01	2	C40 265764-5	THUMB SCREW M6	1	PC.
A01	2	C50 317788-8	GUIDE HOLDER	1	PC.
A01	2	C60 324378-0	ROLLER 11	1	PC.
A01	2	C70 341136-9	HOOK (TYPE2)	1	PC.
A01	2	C80 941151-9	FLAT WASHER 6	1	PC.
A01	2	INC. 317789-6	TRIMMER GUIDE (INCLUDES No.C10 - C80)		
A02		122704-5	STRAIGHT GUIDE ASS'Y	1	PC.
A02		INC. 252649-4	THUMB NUT M6	1	PC.
A02		INC. 266339-3	CAP SQUARE NECK BOLT M6X20	1	PC.
A02	2	INC. 343593-7	GUIDE PLATE (TYPE2)	1	PC.
A03	2	343577-5	TEMPLET GUIDE 10	1	PC.
A04		781036-5	WRENCH 10	1	PC.
A05		781037-3	WRENCH 17	1	PC.
A06		418647-0	CHIP DEFLECTOR	1	PC.
A07		733238-9	STRAIGHT BIT 6E	1	PC.
A09		194267-1	TRIMMER BASE ASSY	1	PC.
A09		INC.	Item No. 27-30, 33-36, 42		
A10		783208-8	HEX.WRENCH 2.5	1	PC.
A11		421345-7	JOINT	1	PC.
A12		155263-4	TRIMMER SHOE	1	PC.
A13		763663-0	COLLET CONE 6.35	1	PC.
A14		122753-2	TILT TRIMMER BASE ASSY (See Partsbreakdown 122753-2)	1	PC.